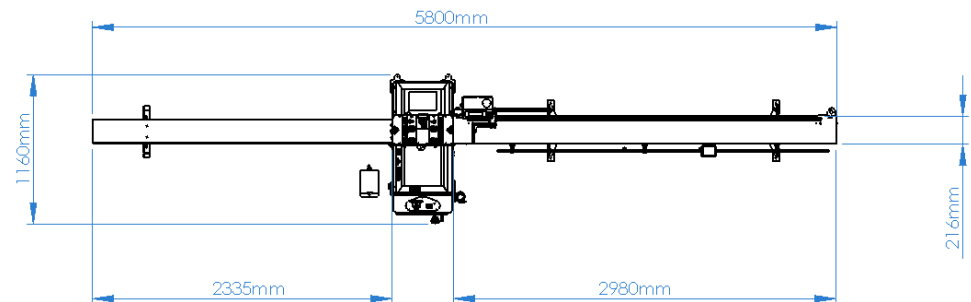




- 1000 different cutting length memory capacity.
- Data transfer with CF card.
- User friendly interface.
- Wireless data transfer up to 100m with digital caliper.
- Support plate goes to measurement automatically.



General Features

- Precise cutting of PVC glazing beads at 45°.
- Adjustable saw progress speed.
- Digital caliper measures up to 1532 mm as standard and up to 2532 mm with extra bar.

Optional Equipments



- BR 100 Barcode Reader



- EB 100 Ethernet Connection

 H: 1640 mm	 400 V L1-L2-L3-N-PE 50 / 60 Hz 2,25 kW	 290 kg	 6-8 Bar 8 l / Cycle	 ØD1: 200 mm Ød1: 32 mm ØD2: 95 mm Ød2: 32 mm	 L min: 244 mm L max: 2880 mm + 85 mm
----------------	-----------------------------------------------------	------------	----------------------------	-----------------------------------------------------------	---------------------------------------------

- The product has patented features.